

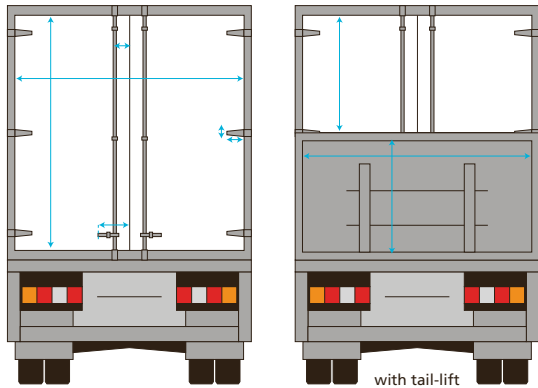
Trailer Livery Guide

Rears

The Basics

- What type of rear is it - barn door or roller shutter?
- What is the available graphic area? - between capping/framework (width x height in mm)
- Is there a tail-lift? - if so what is the visible area of the rear when the tail lift is up? Also, can graphics be applied to the tail-lift - if so what is the available area?
- Position & size of any obstructions.

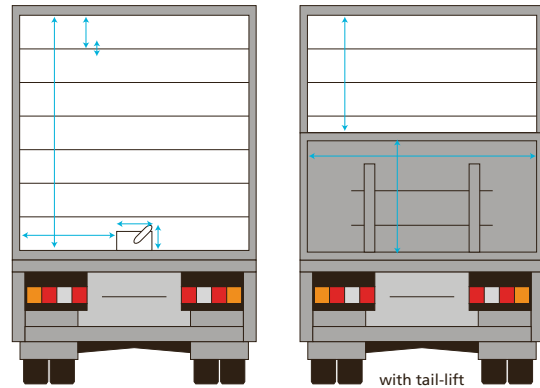
Barn Door Rear



Specifics

- Position & size of locking bars, hinges.

Roller Shutter Rear



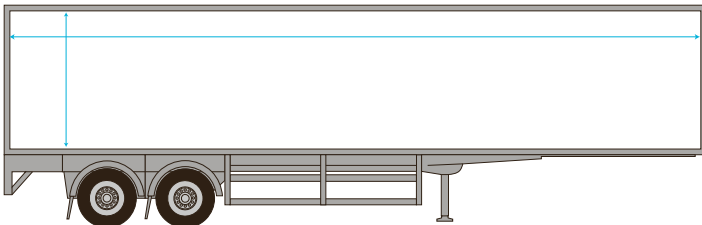
Specifics

- Height of individual slat (or each slat if different sizes).
- Gap between slats.
- Position & size of handles.

Double Deck

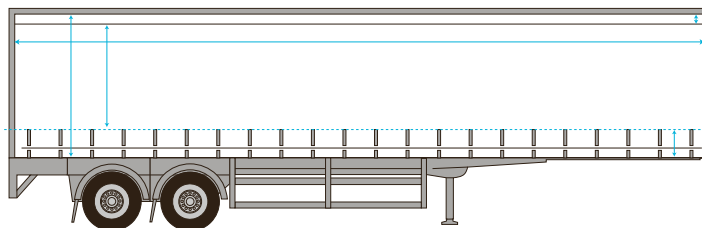
- Are the doors/shutter full height? or is there a panel at the top? If there is a panel please supply the available area.

Sides



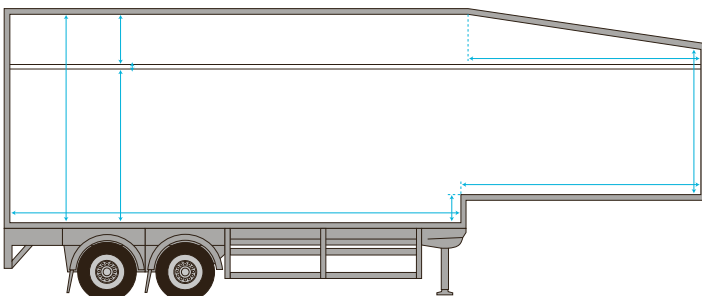
Rigid

- Available graphic area between capping (length x height in mm)



Curtain-Sided

- Available graphic area between capping (length x height in mm)
- Height of pelmet area.
- Height of strap area.



Double-Deck

- Available graphic area between capping (length x height in mm)
- Is there a rivet line? If so please supply position.
- Dimensions of step/neck area.
- Is there an angled front?